



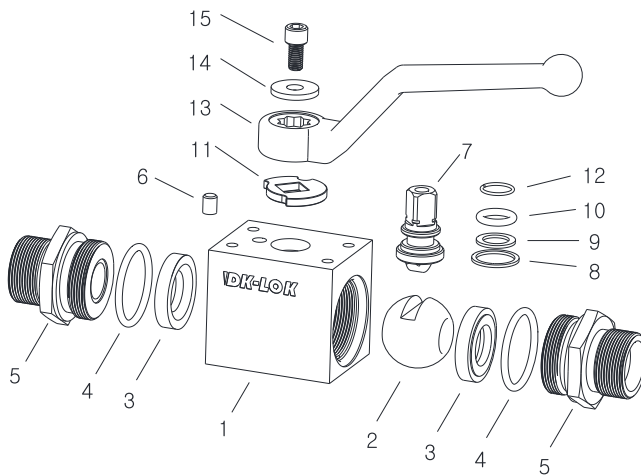
Features

- Pressure Rating up to 500 bar (7,250 psi)
- Positive stop with robust stop pin
- Various end ports including DIN Standard port

Features

- Hydraulic fluids
- Compressed Air
- Fuel oil system

Material of Construction



Component	Valve Body Material	
	Stainless Steel	Carbon Steel
Grade/ASTM, JIS Specification		
1. Body	SS316/A276	S45C
2. Ball	SS316/A276	SS316/A276
3. Seat	POM	
4. o-ring	FKM	NBR
5. Connector	SS316/A276	S45C
6. Pin	SS316	
7. Stem	SS316/A276	S45C
8. Bearing	POM	
9. Stem ring	POM	
10. Stem o-ring	FKM	
11. Stopper	SS304	
12. Snap ring	SS304	
13. Handle	SS316	S45C
14. Washer	SS304	
15. Screw	SS304	SS41

- Wetted parts and lubricants listed in blue.
- Fluorinated-based lubricant

Factory Testing

Every valve is tested with nitrogen gas @ 1000 psig(68bar) for leakage at the seat to a maximum allowable leak rate of 0.1 SCCM. The stem packing is tested with nitrogen gas@1000 psig for no detectable leakages.

Optional Seat Material

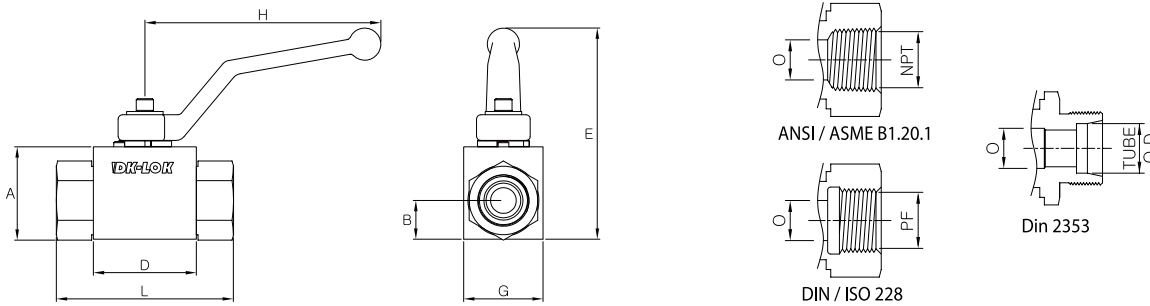
Rating based on valve with standard POM seat.

Seat	Temperature Rating ° C (°F)
POM, PEEK	-30 to 100 (-22 to 212)
PTFE	-54 to 65 (-65 to 149)

Optional O-ring Materials

FKM O-Rings are standard. Add the designator to the ordering number for valve with optional O-ring material.

O-ring Materials	Designator	Temperature Rating ° C (°F)
FKM	Nil	-23 ~ 190 (-10 ~375)
NBR	BN	-23 ~ 121 (-10 ~ 250)
EPDM	EP	-45 ~ 148 (-50 ~ 300)
FFKM	KZ	-30 ~ 210 (-22 ~ 410)



Ordering Information and Table of Dimensions

Basic Ordering Number	End Connections	DN O	PN bar	Dimensions, mm							
				A	B	E	G	D	L	H	
V87A-	F2N	1/8 in. Female NPT	4	500	35	14.5	96.5	30	42.0	71.0	110
	F4N	1/4 in. Female NPT	6								
	F2G	1/8 in. Female PF	4								
	F4G	1/4 in. Female PF	6								
	N6L	6mm	6								
	N8L	8mm									
	N10L	10mm									
	N8S	8mm	4								
	N10S	10mm	6								
N12S	12mm	8									
V87B-	F6N	3/8 in. Female NPT	10	500	40	18.5	101.5	35	44.4	73.0	110
	F6G	3/8 in. Female PF								79.5	
	N12L	12mm								82.5	
	N14S	14mm									
V87C-	F8N	1/2 in. Female NPT	13	500	43	19.5	104.5	37	48.4	83.0	110
	F8G	1/2 in. Female PF								87.0	
	N15L	15mm								89.0	
	N18L	18mm								93.0	
	N16S	16mm									
	N20S	20mm									
V87D-	F12N	3/4 in. Female NPT	20	400	55	23.5	130.0	45	62.5	95.0	175
	F12G	3/4 in. Female PF								110.0	
	N22L	22mm								111.0	
	N25S	25mm									
V87E-	F16N	1 in. Female NPT	20	350	65	29.5	140.0	55	66.5	112.0	175
	F16G	1 in. Female PF								117.0	
	N28L	28mm									
	N35L	35mm	25								
	N42L	42mm								119.0	
	N30S	30mm								121.0	
	N38S	38mm								131.0	

Ordering Information

Select valve basic ordering number, applicable options and body material.

V87A - F4N -	BN-					S	L
V87B - N12L -		EP-					
V87D - N30S -			KZ-	PE			
O-ring Material Designator		Seat Material Designator			Valve Body Material Designator		
Nil : FKM BN : NBR EP : EPDM KZ : FFKM		Nil : POM PE : PTFE PK : PEEK			S : 316 stainless steel L : 316L stainless steel C : Carbon steel		

Safe Valve Selection

The selection of a valve for any application or system design must be considered to ensure safe performance. Valve function, valve rating, material compatibility, proper installation, operation and maintenance remain the sole responsibility of the system designer and the user. DK-Lok accepts no liability for any improper selection, installation, operation or maintenance.