

Features

- **Packing bolt** permits packing adjustment externally.
- **Chevron PTFE packing** design provides far improved sealing integrity.
- **Packing** below stem threads is to isolate threads from system fluid and lubricant washout.
- **Non-rotating** stem tip at closure for long-life and leak-tight shutoff.
- **Lock plate** ensures the valve fastened to the body.
- **NACE MR0175/ISO 15156-3** applicable

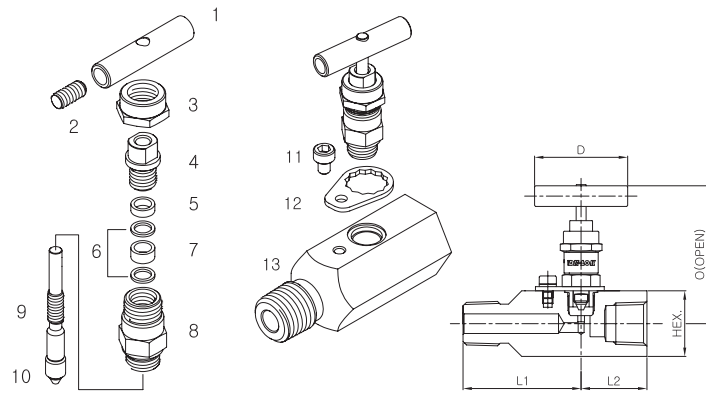
Pressure-Temperature Ratings

Body Material	Packing material	Temperature Rating	Pressure Rating @ 38 °C (100 °F)	Pressure Rating @ Max. Temp.
Stainless steel	PTFE	- 54 to 232 °C (-65 to 450 °F)	689 bar (10,000 psig)	285 bar @ 232 °C 4,130 psig @ 450 °F
	Grafoil	-54 to 648 °C (-65 to 1,200 °F)		118 bar @ 648 °C 1,715 psig @ 1,200 °F
Carbon steel	PTFE	- 29 to 176 °C (-20 to 350 °F)	689 bar (10,000 psig)	360 bar @ 176 °C (5,230 psig @ 350 °F)
	Grafoil	- 29 to 176 °C (-20 to 350 °F)		

Materials of Construction

Component	Valve Body Materials	
	Stainless steel	Carbon steel
1. Handle	Stainless steel	Carbon steel
2. Set screw		Carbon steel
3. Cap nut		C.Steel/JIS G4051
4. Packing bolt	SS316/A276 or A479	
5. Gland		SS316/A276 or A479
6. Packing supports	Standard chevron PTFE packing. Optional Grafoil.	
7. Packing		SS316/A276 or A479
8. Bonnet	SS316/A276 or A479	C.Steel/JIS G4051
9. Stem		SS316/A276 or A479
10. stem disc	SS630/A564	
11. Lock bolt	Stainless steel	
12. Lock plate		
13. Body	SS316/A276 or A479	C.Steel/ JIS G4051, White zinc galvanized.

Wetted components listed in blue. Grafoil : TM UCAR



Ordering Information and Dimensions

Basic Ordering No.	End Connection		Orifice in. (mm)	Cv	Dimensions, in. (mm)						
	Inlet	Outlet			L	L1	L2	Hex	D	O	
V46A-	D-4T-	1/4 DK-Lok	0.185 (4.7)	0.37	3.21 (81.5)	1.59 (40.4)	1.62 (41.1)	1.25 (31.75)	1.77 (45)	2.64 (67.2)	
	D-6T-	3/8 DK-Lok		0.64	3.33 (84.5)	1.65 (41.9)	1.68 (42.6)				
	D-8T-	1/2 DK-Lok		0.83	3.54 (90.0)	1.76 (44.7)	1.78 (45.3)				
	F-4N-	1/4 Female NPT		0.83	3.0 ((76.2)	1.75 (44.4)	1.25 (31.8)				
	F-6N-	3/8 Female NPT									
	F-8N-	1/2 Female NPT									
	MF-8N-	1/2 Male NPT									2.25 (57.1)
	MF-12N8N-	1/2 Male NPT									2.25 (57.1)

Dimensions shown are for reference only and subject to change.

How to order

- To complete ordering number, add material designator **S** for stainless steel or **C** for carbon steel. Example V46A-F8N-S
- To order optional Grafoil packing, insert **GF** to the ordering number. Example V46A-F8N-GF-S
- To order NACE applicable valve, insert **SG** to the ordering number. Example V46A-F8N-GF-SG-S



Factory test, cleaning and packaging

- Every valve is factory tested with nitrogen @ 69 bar (1,000 psig) for leakage at the seat to a maximum allowable leak rate of 0.1 SCCM.
- Stem packing is tested for no detectable leakage.
- Every valve is cleaned and packaged in accordance with DK-Lok Corporation cleaning standard DC-01. Optional DC-11 cleaning for oxygen application is available on request.

Packing adjustment and Actuation Torque

- Extreme or rapid temperature cycle while valve in service may require packing adjustment.
- Valves that have not been actuated for a period of time may have a higher initial actuation torque.

Safe Valve Selection

The selection of a valve for any application or system design must be considered to ensure safe performance. Valve function, valve rating, material compatibility, proper installation, operation and maintenance Remain the sole responsibility of the system designer and the user. DK-Lok accepts no liability for any improper selection, installation, operation or maintenance.