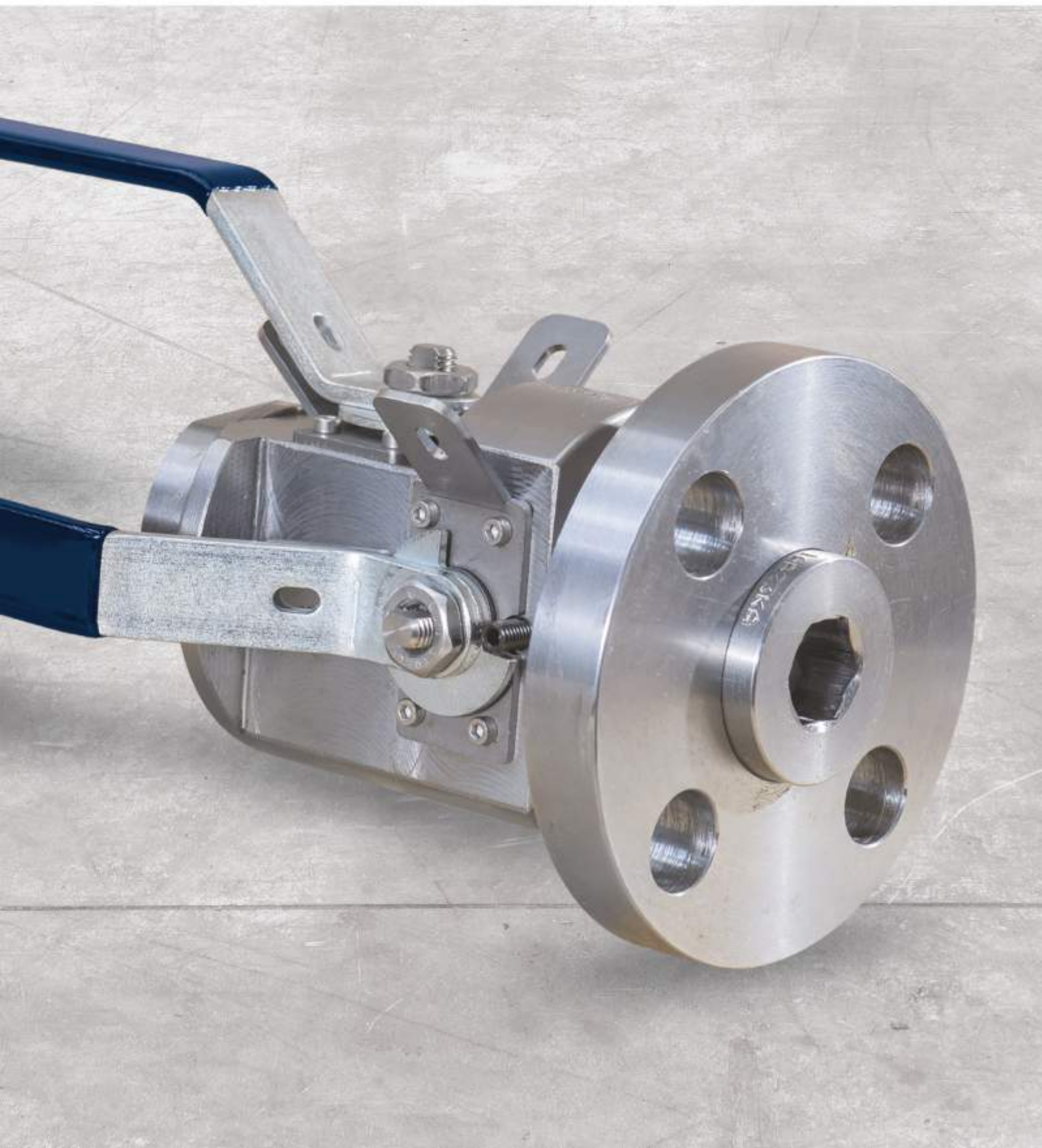
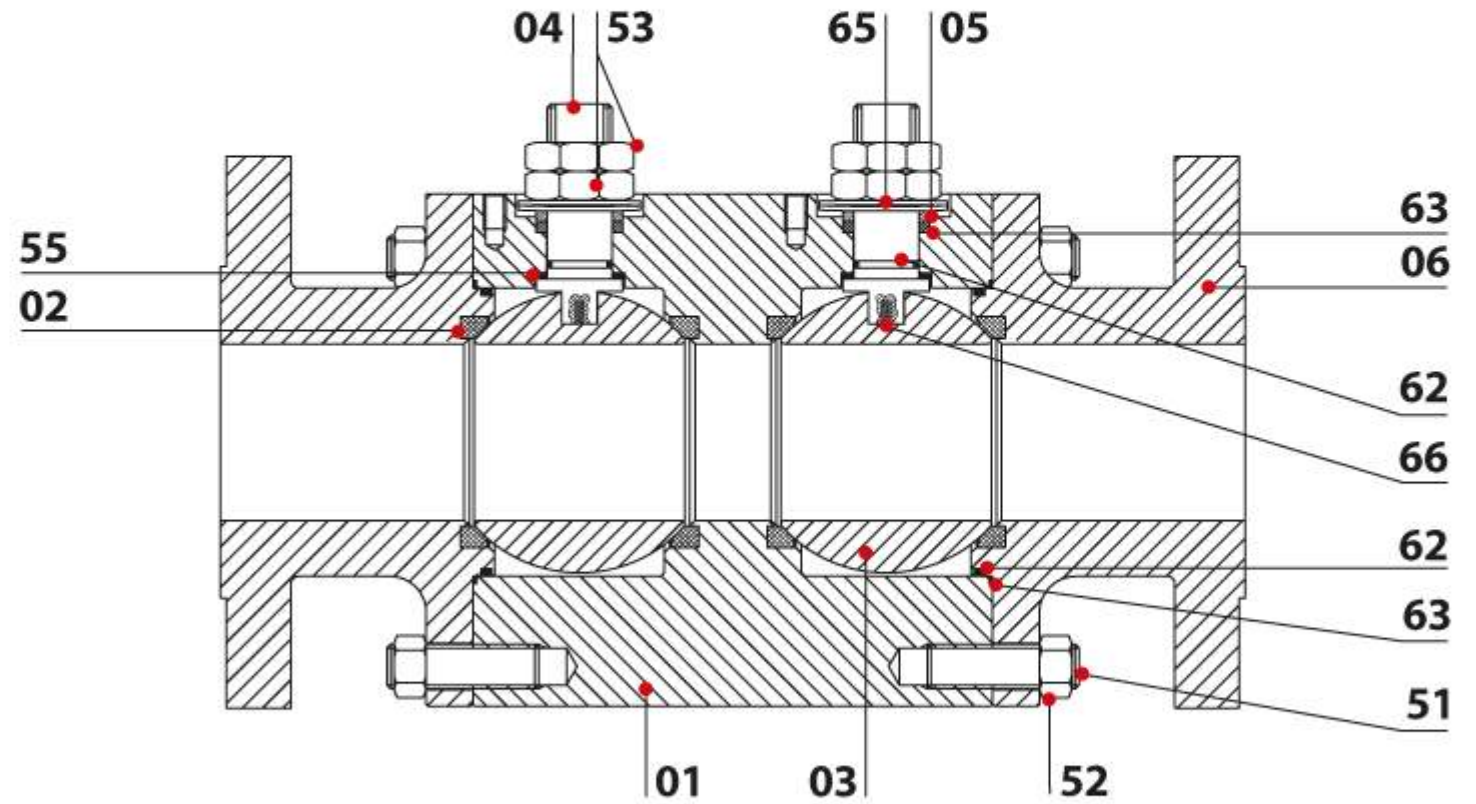


Floating DBB

Main Features

- Split Body - All forged construction.
- Soft / Metal Seated.
- Self Relieving.
- Anti Blow-Out stem.
- Fire safe API 6FA - API 607 ISO 10497.
- Antistatic device.
- Materials in accordance to NACE MR 01.75.



Valve Parts

Pos.	Description
01	Body
02	Seat
03	Ball
04	Stem
05	Gland
06	Flange
51	Stud
52	Nut
53	Stem Nut
55	Thrust Washer
62	Seal
63	Gasket
65	Spring Washer
66	Antistatic Spring